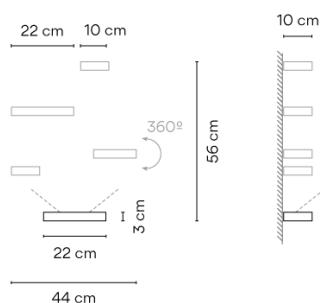




7763

Design By Xuclà

Set, designed by Xuclà, is a play of lights, shadows and lighting and volumetric effects. Movable parts that generate and reflect light on the walls, while also acting as a decorative element. The Set collection transforms into a surface wall lamp. Whether positioned on the wall of a small room or a large hotel or office entrance hall, it plays an excellent lighting and decorative purpose.

## Model Sheet



<b>Finish</b>	 93 White RAL 9003
	 59 Mink Pantone 407C
<b>LED temperature color</b>	2700 K / 3000 K / 4000 K
<b>Dimming</b>	0-10V
<b>Installation type</b>	Surface Canopy

<b>Materials</b>	Body: Aluminum Diffuser: Borosilicate glass Lid: Polycarbonate Reflector body: Foamed PVC
------------------	--

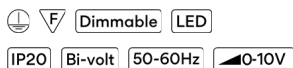
**Light source** 1 x LED 9W 350mA



**LED** CRI>80 1041 lm 116  
2700 K / 3000 K / 4000 K

**Driver** Constant Current 350 100-240 V V 50-60 Hz HZ

**Remarks** LED placed on the lower element.  
Big

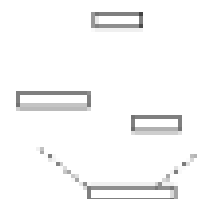


**Application** Wall Lamps

**Packaging** 1 Box  
0.36 m x 0.19 m x 0.15 m  
Gross weight 2.25  
Net weight 1.75  
Vol. 0.0102

**Lighting effect****General Lighting**

Lamp that emits an upward or backward beam that is reflected by the ceiling or wall.

**Photometric Data****Other Applications**

All of our products come with a five-year warranty. Check our legal terms at [www.vibia.com/warranty](http://www.vibia.com/warranty)

**Vibia Lighting, S.L.U.**

**Office / Oficina**  
Progrés 4-6. 08850 Gavà. Barcelona, Spain.

**International** T +34 934 796 971  
**Spain / Portugal** T +34 934 796 970

[customer.service@vibia.com](mailto:customer.service@vibia.com)  
[vibia.com](http://vibia.com)